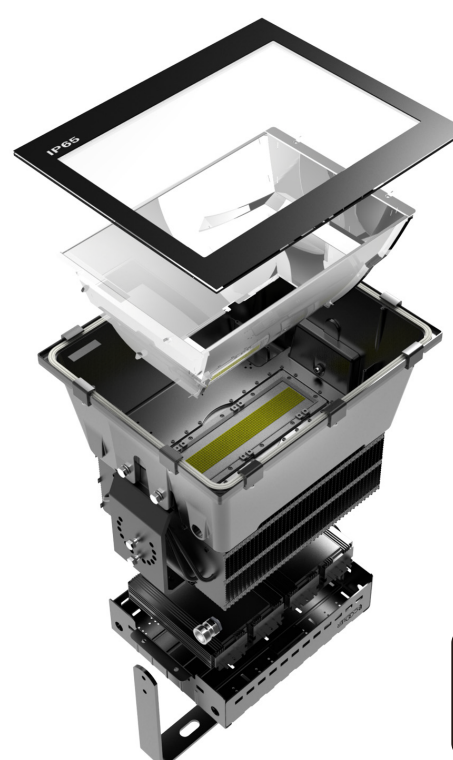
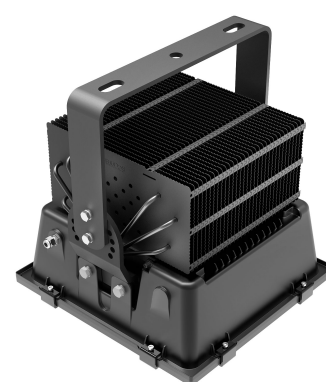


Mars LED Stadium Light



Features:

- Copper heat pipe-riveting and massive 3D HDT fins cooling technology.
- Anti-hurricane level 17.
- 4mm tempered glass.
- 240° angle adjustable mounting bracket.
- Low glare optical, 25°/45°/60°/90°/100° variety light distribution, available with laser aiming capability.
- Surpass performance of 2000W metal halide.



Application

Stadium, Wharf, Cranes, Port, Airport, Square, Stage etc.



Technical Specification

Content	KBSFSL400	KBSFSL500	KBSFSL1000
Ref.Photo			
Nominal Power (W)	400	500	1000
Input Voltage (V)	AC90-260V		
Luminous Efficiency (lm/W)	100lm/W		
Lumen Output (lm)	40000	50000	100000
LED Light Source	CREE/Lumileds/Nichia		
CCT (K)	2700-6000K		
CRI	> 70		
Power Factor	0.95		
Driver	Meanwell/Moso/Inventronics		
Beam Angle	60°*90°/30°*90° 25°/45°/60°/90°/100°	60°*90°/30°*90° 25°/45°/60°/90°/100°	50°*90°, 10°*90°
IP Rating	IP66		
Body Material	Aluminum		
Lifetime(Hrs)	50000		
Dimension(mm)	436*416*456mm	439*419*456mm	534*436*602mm
Warranty	5 Years		
Certification	CE/RoHS		
Working Temperature	-40°C ~ 55°C		